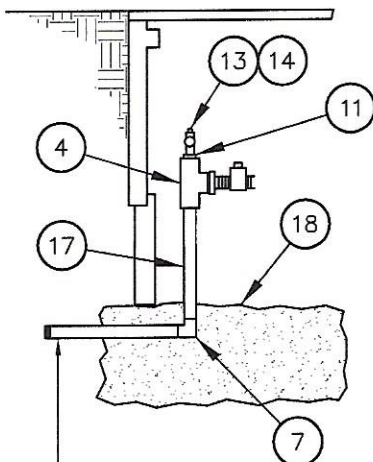


List of Materials

Item	Descriptions
1	Service saddle, 2" corporation stop, 2" copper tubing, 2" angle meter valve, by-pass tee and valve, and meter box per Standard Drawing 602.
2	2" compact RFM 160 meter (cubic feet register) with bronze main case, integral 2 bolt oval flange, and plastic register box.
3	2" x 2" Brass flange M-IPT x oval flange, with slotted holes, Ford CF38-77-1.937, Jones J-129-M, McDonald 610M 2"x1 15/16.
4	2" Brass tee, F-IPT.
5	2" Brass union, F-IPT.
6	2" NIBCO class 125 bronze check T-413-B (Buna-N) (W) disc.
7	2" - 90 Degree Brass elbow, IPT.
8	2" Close brass nipple, IPT.
9	2" x 3"L Brass nipple, IPT.
10	1" x 3"L Brass nipple, IPT.
11	2" x 1" Brass reducing bushing, M-IPT x F-IPT.
12	1" - 90 Degree Brass elbow, IPT.
13	1" Ball valve brass with locking ears, Ford B81-444-WR M-IPT x F-IPT, McDonald 6117W M-IPT x F-IPT, Jones J-1900W and Mueller B-20200-3 F-IPT x F-IPT w/ close brass nipple.
14	1" Brass plug, IPT.
15	Valve handle, 3 1/4" brass, Ford HB-34S, Jones J-2815, McDonald 6120B 1", Mueller B-20298-99000.
16	2" Ball valve brass with locking ears, Ford B81-777-WR M-IPT x F-IPT, McDonald 6117W M-IPT x F-IPT, Jones J-1900W and Mueller B-20200-3 F-IPT x F-IPT w/ close brass nipple.
17	2" x 12"L Brass nipple, IPT.
18	1/2" crushed rock, 8" minimum base.



Both domestic and fire exit under box.

Section A-A

REVISED DATE _____ _____ _____	CITY OF COMPTON PUBLIC WORKS DEPARTMENT - WATER UTILITY DIVISION	DRAWN <u>L.H.O.</u> DATE <u>8-25-15</u>
	2" RESIDENTIAL FIRE/DOMESTIC SERVICE INSTALLATION	STD. NO. 606
	APPROVED <u><i>[Signature]</i></u> DATE <u>9.6.15</u> DIRECTOR OF PUBLIC WORKS AND MUNICIPAL UTILITIES	1 of 2

Notes:

1. See other sections of these Specifications for related requirements, or Special Provision if applicable.
2. The water service shall extend perpendicular to street center line except in cul-de-sacs, and the tap shall be at least 24" from any adjacent joint or service.
3. Flange gaskets shall be full face or drop-in 1/8" thick cloth inserted rubber.
4. All bolts and nuts to have electrodeposited coatings of zinc. Bolts must be 5/8" x 3"L.
5. Meter (cubic feet register) to be set for curbside reading.
6. Domestic service line from meter to house shall be sized to Plumbing Code requirements. Fire sprinkler service line sizing shall be approved by Fire Marshal.
7. Meter box requirements:

Meter box cover to be flush with finished grade when in concrete, and 1/2" above grade in landscaped areas.

Do not notch out meter box or extension. Customer side plumbing shall exit under bottom of meter box or extension.

Meter boxes shall be a minimum 6" clear from adjacent meter boxes, top of "x" of driveway approaches, and sidewalk access ramps.

<p>REVISED</p> <p>DATE _____</p> <p>_____</p> <p>_____</p> <p>_____</p>	<p>CITY OF COMPTON</p> <p>PUBLIC WORKS DEPARTMENT – WATER UTILITY DIVISION</p> <p>2" RESIDENTIAL FIRE/DOMESTIC SERVICE INSTALLATION</p>	<p>DRAWN <u>L.H.O.</u></p> <p>DATE <u>8-25-15</u></p> <hr/> <p>STD. NO.</p> <p>606</p> <p>2 of 2</p>
	<p>APPROVED  DATE <u>9.1.15</u></p> <p>DIRECTOR OF PUBLIC WORKS AND MUNICIPAL UTILITIES</p>	