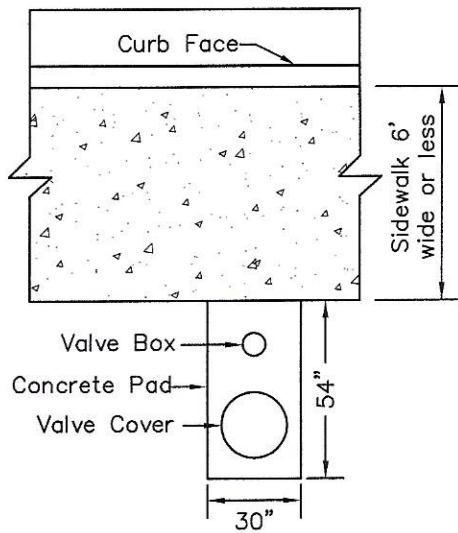


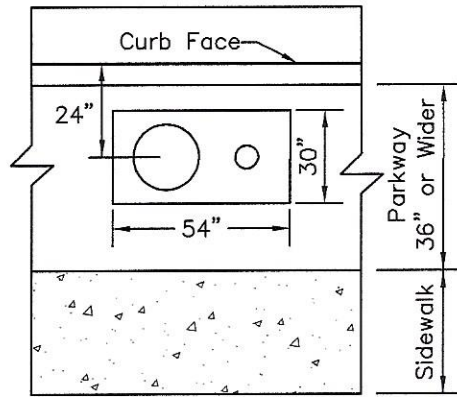
List of Materials

Item	Description
1	Double strap bronze saddle, see Standard Drawing 601 (1") or 602 (2").
2	Corporation stop, see Standard Drawing 601 (1") or 602 (2").
3	1" or 2" copper tubing, type K, rigid.
4	1" or 2" 90° copper sweat elbow.
5	Bronze ball valve, F-IPT X F-IPT, per Standard Drawing 601 (1") or 602 (2").
6	1" or 2" copper adapter, M-IPT X sweat.
7	1" or 2" brass 90° elbow, F-IPT.
8	1" or 2" rigid brass pipe, M-IPT.
9	1" or 2" combination air release valve (see Section 4-08.05).
10	1" or 2" brass nipple (order to fit).
11	1" or 2" brass street elbow.
12	Air vent screen/strainer, Christy's model #VC1 (1") OR #VC2 (2") or City approved equal.
13	Two-piece polyethylene enclosure (sandstone cover), by Pipeline Products, model #VCAS-1830 or City approved equal.
14	1/2" X 5"L anchor bolt with stainless washers, electrodeposited coating of zinc. 3 each.
15	Valve box and riser per Standard Drawing 650.
16	Concrete pad, Class 520-C-2500), (see Note 3 on Sheet 2).

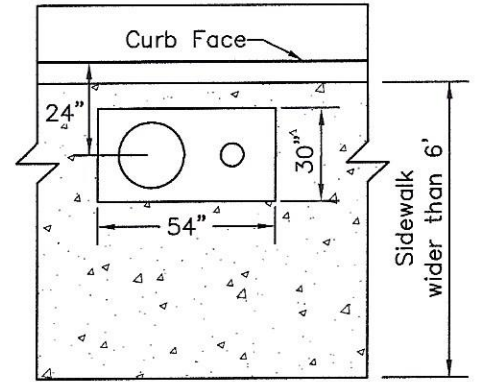
REVISED DATE _____ _____ _____ _____	CITY OF COMPTON PUBLIC WORKS DEPARTMENT - WATER UTILITY DIVISION	DRAWN <u>L.H.O.</u> DATE <u>8-25-15</u>	
	1" AND 2" COMBINATION AIR RELEASE VALVE ASSEMBLY	STD. NO. <u>627</u>	
	APPROVED <u><i>[Signature]</i></u> DIRECTOR OF PUBLIC WORKS AND MUNICIPAL UTILITIES	DATE <u>9.1.15</u>	1 of 2



Case 1



Case 2



Case 3

Note:

Use case 2 if no sidewalk exists.

Notes:

1. Assemblies installed in easements, roads and streets without curbs or with rolled curbs shall be protected with guard posts per Standard Drawing 615.
2. Contractor is to verify with Engineer the exact assembly location prior to construction.
3. Top of concrete pad must match the top of curb and top of sidewalk.
4. Use 95% silver solder only for all sweat joints.
5. Assembly shall be located a minimum of 7 feet from BCR, ECR or driveway approaches.
6. All internal and external ferrous metal surfaces shall be epoxy coated per Section 4-08.05.

REVISED DATE _____ _____ _____ _____	CITY OF COMPTON PUBLIC WORKS DEPARTMENT – WATER UTILITY DIVISION	DRAWN <u>L.H.O.</u> DATE <u>8-25-15</u>
	1" AND 2" COMBINATION AIR RELEASE VALVE ASSEMBLY	
	APPROVED <u><i>[Signature]</i></u> DIRECTOR OF PUBLIC WORKS AND MUNICIPAL UTILITIES	DATE <u>9.1.15</u>