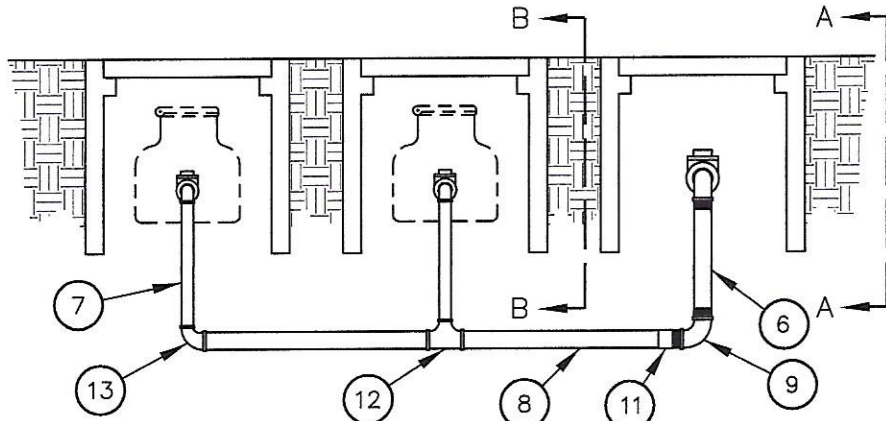
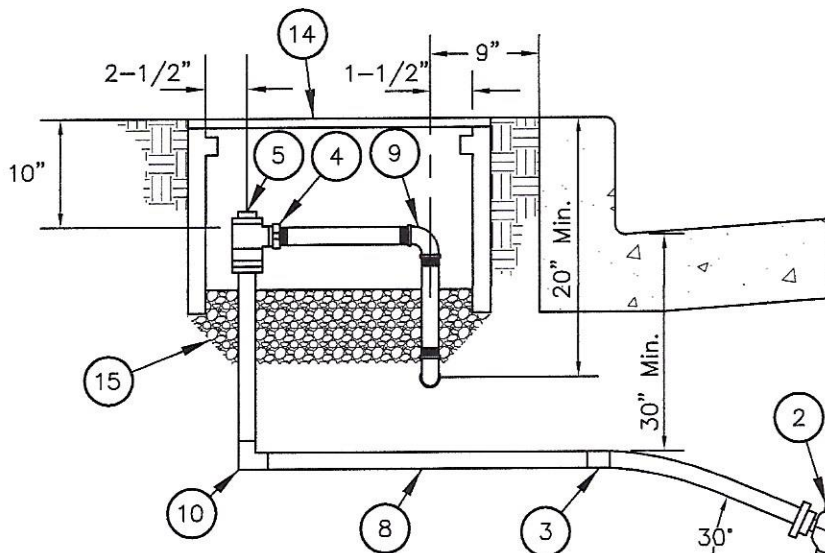


2" Service manifold to four 5/8" or 1" services

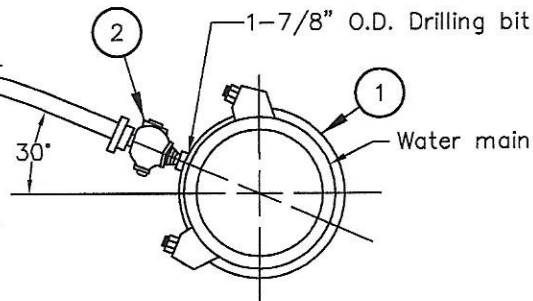
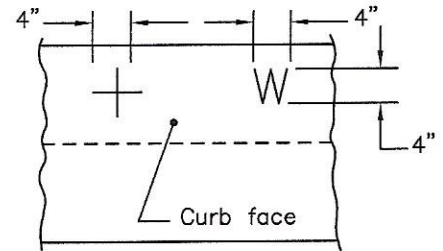


1" Service manifold to two 5/8" services



Section A-A  
Section B-B (See Standard Drawing 601)

Chip 4" 'W' in curb face to identify corp stop location. Chip 4" '+' in curb face to identify meter locations.



<b>REVISED</b> DATE _____ _____ _____ _____	<b>CITY OF COMPTON</b> PUBLIC WORKS DEPARTMENT - WATER UTILITY DIVISION	DRAWN <u>L.H.O.</u> DATE <u>8-25-15</u>
	<b>MANIFOLD INSTALLATION</b>	<b>STD. NO.</b> <u>725</u>
	APPROVED <u>[Signature]</u> DIRECTOR OF PUBLIC WORKS AND MUNICIPAL UTILITIES	DATE <u>9.1.15</u>

## List of Materials

Item	Description
1	2" or 1" Bronze double strap service saddle, F-IPT. See Standard Drawing 601 or 602.
2	2" or 1" Corporation stop IPT. X compression. See Standard Drawing 601 or 602.
3	2" or 1" Copper coupling, with stop, use 95% silver solder only. Use when horizontal run of service exceeds 20 ft.
4	2" X 2" or 1" X 1" Brass flange F-IPT X oval flange, with slotted holes. See Standard Drawing 601 or 602.
5	2" or 1" Angle ball valve, compression X oval flange slotted holes and locking ears. See Standard Drawing 601 or 602.
6	2" or 1" X 6"L brass nipple, IPT.
7	1" or 5/8" Copper pipe, type K soft drawn.
8	2" or 1" Copper pipe, type K soft drawn.
9	2" or 1" - 90° Brass elbow, F-IPT.
10	1" - 90° Copper elbow, use 95% silver solder only.
11	2" or 1" Copper adapter, M-IPT X sweat, use 95% silver solder only.
12	2" X 1" or 1" x 5/8" Copper tee, use 95% silver solder only.
13	2" X 1" or 1" x 5/8" - 90° Copper elbow, use 95% silver solder only.
14	1" Meter box assembly (see Section 4-10.06).
15	1/2" Crushed rock, 8" base.

### Notes:

1. The water service shall extend perpendicular to street center line except in cul-de-sacs. The tap shall be at least 24" from any adjacent joint for service.
2. Meter (cubic feet register) to be set for curbside reading.
3. A traffic load rating cover shall be used in areas without curb, in areas with rolled curb, or where the meter is located within 7 feet of the BCR, ECR or a driveway approach.
4. Angle meter stops shall be provided with 360° tee head rotation.
5. Meter boxes shall be a minimum of 6" clear from adjacent meter boxes, and 7' clear of top of "X" of driveway approaches and sidewalk access ramp.
6. Refer to Standard Drawing 601 and 602 for list of approved manufacturers and materials.
7. Manifold to be located in landscaped areas only. No concrete or asphalt cover allowed.

<b>REVISED</b> DATE _____ _____ _____ _____	<b>CITY OF COMPTON</b> PUBLIC WORKS DEPARTMENT – WATER UTILITY DIVISION	DRAWN <u>L.H.O.</u> DATE <u>8-25-15</u>
	<h2 style="margin: 0;">MANIFOLD INSTALLATION</h2>	
	APPROVED <u><i>[Signature]</i></u> DATE <u>9.1.15</u> DIRECTOR OF PUBLIC WORKS AND MUNICIPAL UTILITIES	<b>STD. NO.</b> <span style="font-size: 2em;">725</span> 2 of 2